

# HIDEAWAY SWING DESK ASSEMBLY INSTRUCTIONS

## Hideaway Swing Desk

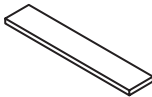
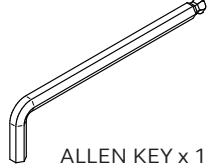

PRODUCT CODES:

**HID1255LUK** - Hideaway swing desk, left hand  
(storage to the left of you) with UK power

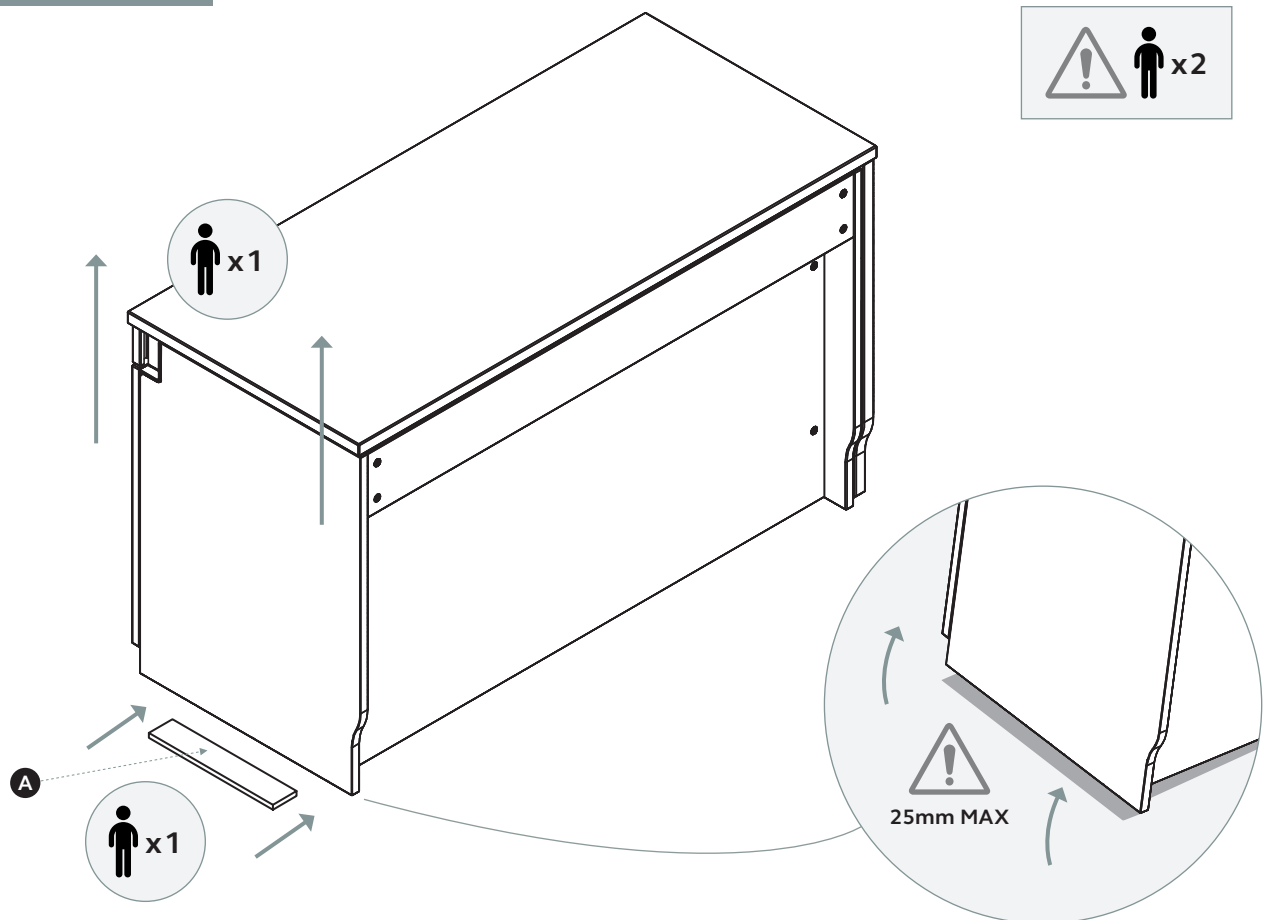
**HID1255RUK** - Hideaway swing desk, right hand  
(storage to the right of you) with UK power

## CONGRATULATIONS, YOUR NEW HIDEAWAY SWING DESK HAS ARRIVED

In this leaflet you will find all you need to know about how to care for your Swing Desk, so you can ensure you get the very best out of your new addition.

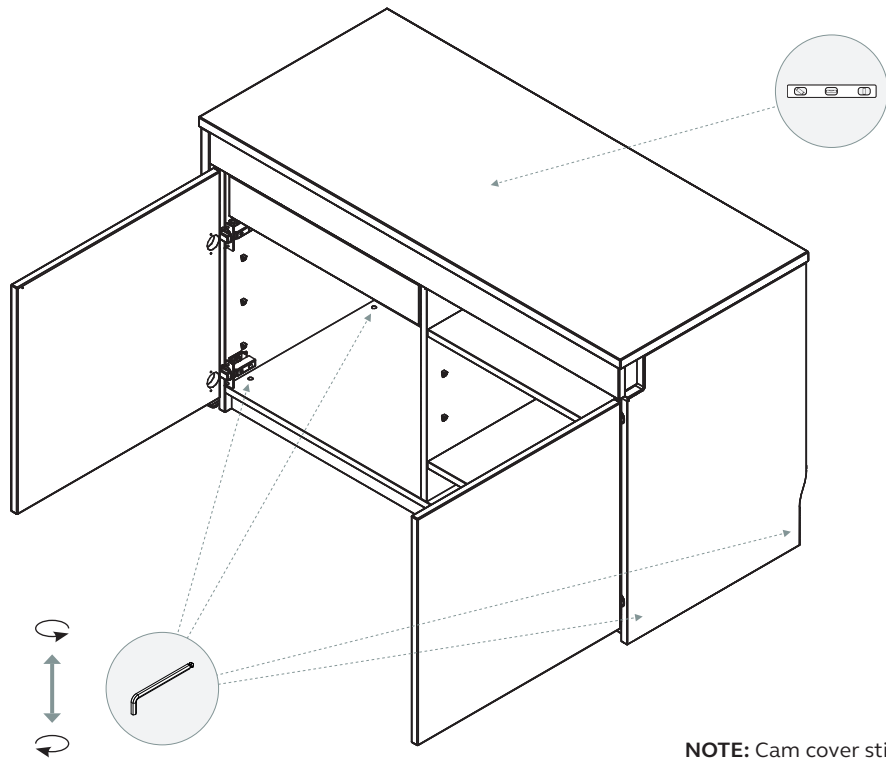
| Components  | Required  |
|---|---|
|  <p><b>A</b><br/>SELF-ADHESIVE<br/>FELT STRIP<br/>1 X PIECES</p> |  <p>ALLEN KEY x 1</p>  <p>SPIRIT LEVEL</p> |

### Step 1



## P2 | BUILD ASSEMBLY

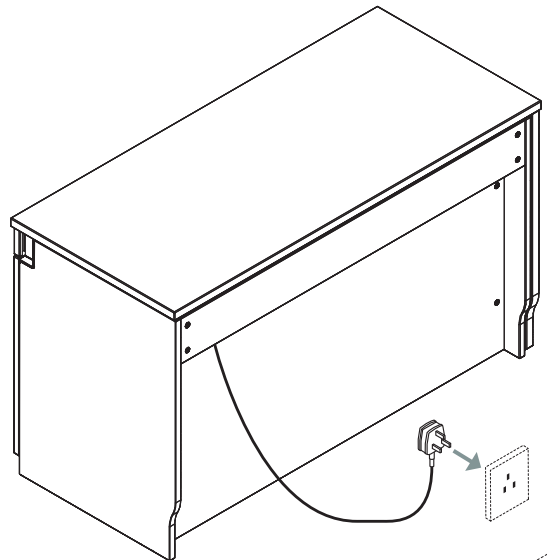
### Step 2



### Step 3



### Step 4



## P3 | BUILD ASSEMBLY

Swing desk is manufactured from PerfectSense lacquered boards.

With PerfectSense we offer for the first time a lacquered surface with a special look, feel and anti-fingerprint feature.

Spilled liquids should always be wiped or cleaned up immediately as prolonged exposure to some substances may have a negative effect on the PerfectSense surface properties, particularly in the areas around cut-outs and joints.

For best results always wipe the surface dry with a regular soft cloth after damp cleaning.

Use a soft lint free cloth, leather chamois or sponge.

**Do not use** microfibre cloths or cleaning erasers.

A light duty household cleaning agent or neutral soap without abrasive ingredients can be used.

**Do not use:** Scouring and abrasive agents, polish, washing powder, furniture cleaner, bleach, steam cleaners or cleaning agents with strong acids or solvents.