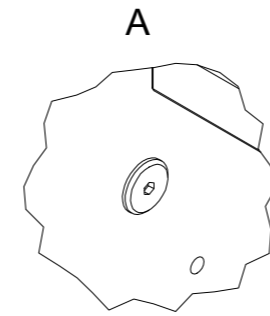
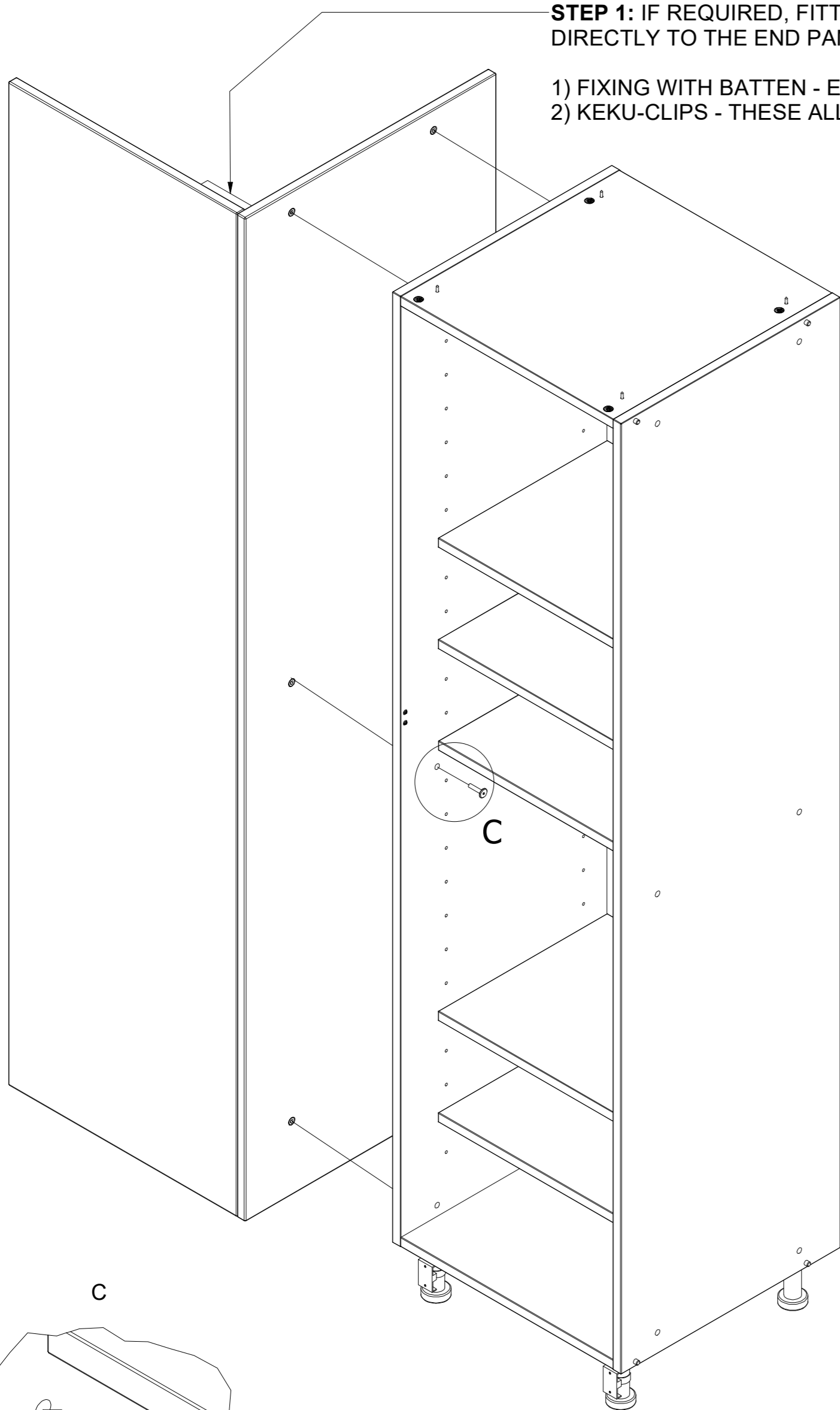


# LOCKERWALL - FITMENT OF END & INFILL PANELS EXPLAINED.

**STEP 1:** IF REQUIRED, FITTERS CAN FIT INFILL PANELS FOR SCRIBING DIRECTLY TO THE END PANELS. THIS CAN BE DONE WITH EITHER:

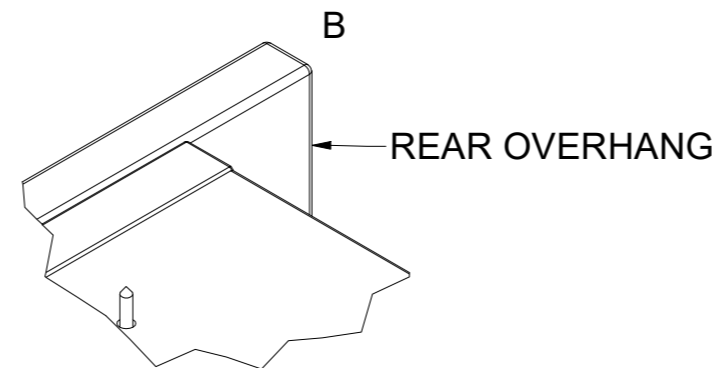
- 1) FIXING WITH BATTEN - EITHER WITH GLUE, OR SCREW.
- 2) KEKU-CLIPS - THESE ALLOW THE INFILL PANEL TO SIMPLY CLIP INTO PLACE ONCE FITTED.



END PANELS ARE FIXED TO THE UNITS VIA x6 QTY M6 FURNITURE BOLTS

THESE ARE PLACED THROUGH THE SIDE PANEL AND THREADED TO INSERTS IN THE END PANELS TO FIX IN PLACE.

(SEE DETAIL "C")

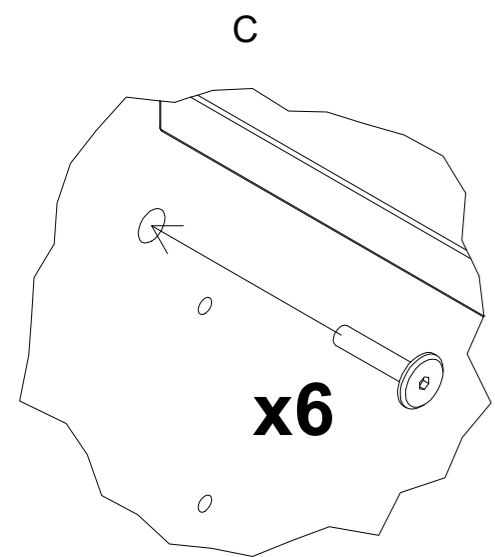


EACH END PANEL OVERHANGS TO ALLOW FOR SCRIBING AND/OR WIRING SPACE.

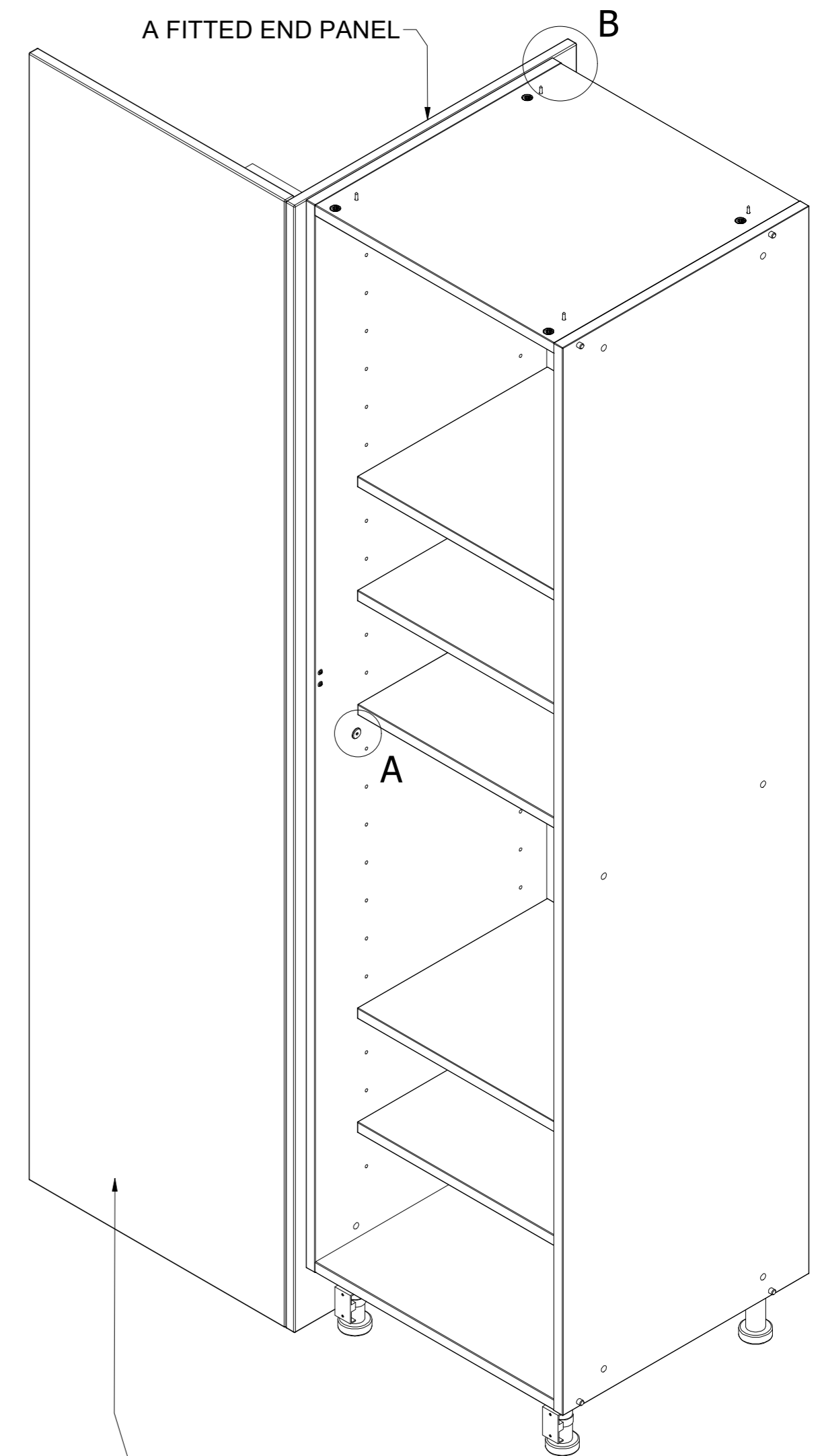
THIS ADDITIONAL MATERIAL AT THE REAR OF THE UNIT ALLOWS THE LOCKER TO FIT FLUSH INTO SPACES WITH VARIED DEPTHS. THIS MEANS THAT LOCKERS CAN BE MADE TO FIT AGAINST SKIRTING BOARDS EASILY.

**NOTE:**

AS A RESULT OF THE ADDITIONAL MATERIAL, THE PANELS THEMSELVES ARE HANDED LH / RH TO ACCOUNT FOR THE OFFSET.



**STEP 2:** EACH LOCKER FEATURES x6 PASS-THROUGH HOLES. AN M6 FURNITURE BOLT IS THREADED THROUGH THIS HOLE TO MEET THE END CLAD PANEL. THESE ARE THEN EASILY TIGHTENED BY USING AN ALLEN-KEY.



**STEP 3:** INFILL PANELS CAN BE USED TO SCRIBE BANKS OF LOCKERS SEAMLESSLY INTO ENCLOSED SPACES AND / OR WALLS.

THIS CAN BE COMPLETED BY A FITTING TEAM ON-SITE, THESE CAN EITHER THEN BE SHAPED TO THE WALLS AND / OR FINISHED WITH DECORATOR'S CAULK

SEE STEP 1 FOR POSSIBLE FITTING METHODS.